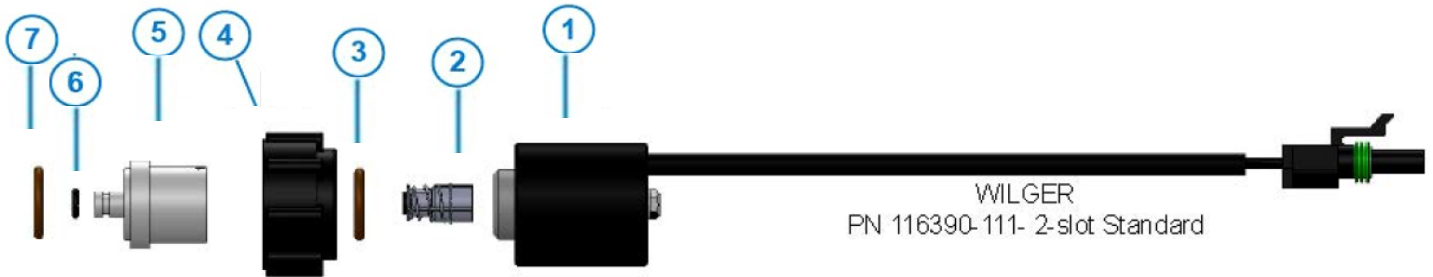


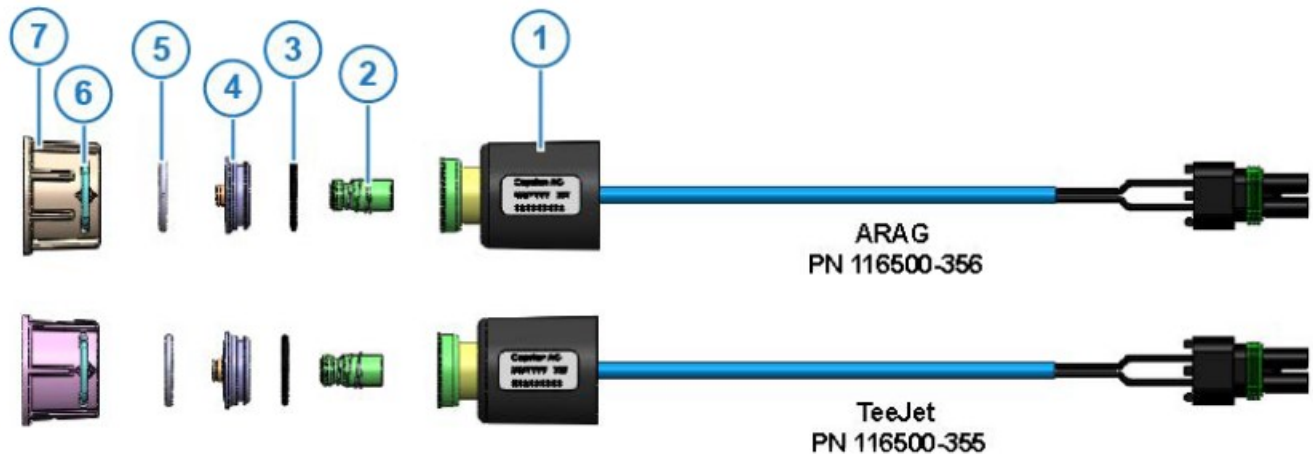


Valve Assemblies used on most Turflux Systems **prior to 2023**



Item	Description	Wilger Part Number
1	Coil	116189-111
2	Plunger Assembly	716009-120*
3	O-ring	715022-204 Size: 0-15
4	Fly Nut	717101-007
5	Valve Body	116188-111
6	O-ring	715022-201 Size: 008
7	O-ring	715022-206 Size: 016

Valve Assemblies used on most Turflux Systems **after to 2022**



Item	Description	Arag Part Number	TeeJet Part Number
1	Coil	116500-301	116500-301
2	Plunger	716009-120	716009-120
3	O-ring (Inner)	116500-221	116500-221
4	Orifice Assembly (Identifiers)	116500-245 Mound: SS Tail: Black Shoulder on Tail: No	116500-246 Mound: SS Tail: SS Shoulder on Tail: Yes
5	O-ring (Spoked)	116500-225	116500-225
6	U-clip	116500-222	116500-222
7	Fly Nut	116500-271	116500-271
8	O-ring (outer)	NA	NA
9	O-ring (stem)	NA	NA
	Plug (unpictured)	116500-278	116500-277